

**OLED10S LED SHADOWLESS OT LIGHT SINGLE REFLECTOR STAND FLOOR MODEL WITH CASTORS**

Technical specifications

Illumination Intensity	: 40000-65000 Lux
Color Temperature	: 3800-5000 K
Color rendering index	: 85 (Ra)
Spot diameter	: 80-160 mm
Height Adjustment	: 700 mm
Temperature Rise of Field	: 0 (°C)
Specification of Bulb	: LED Bulb 5x3 W
Power Input	: 15 VA
Power Supply	: 220 V / 50 Hz. AC
Brightness Control	: Available

**OLED10W** : Same as OLED10S, but LED Light wall mounted.



**OLED20S LED SURGICAL LIGHT WITH CASTORS FLOOR MODEL (for minor surgical procedures)**

Technical specifications

Illumination Intensity	: 40000 Lux
Color Temperature	: 6000-6500 K
Color rendering index	: 75 (Ra)
Spot Diameter	: 150mm
Light Field Diameter	: D 30 cm = 18 cm
Temperature Rise of Field	: 0 (°C)
Power Supply	: 220 V / 50 Hz. AC
Extention	: 75 cm gooseneck
Specification of Bulb	: LED 6 bulbs (high power)
Brightness Control	: Available

**OLED20W** : Same as OLED20S, but LED Surgical Light wall mounted.



**ELED10S LED EXAMINATION LIGHT WITH CASTORS FLOOR MODEL**

Technical specifications

Illumination Intensity	: 12000 Lux
Color Temperature	: 6000-6500 K
Spot Diameter	: 80 - 250 mm
Power Supply	: 220 V / 50 Hz. AC
Extention	: 75 cm gooseneck
Specification of Bulb	: LED 1x3 W
Brightness Control	: Available

**ELED10W** : Same as ELED10S, but LED Examination Light wall mounted.



# □ LED OT & EXAMINATION LIGHTS



## **ELED20** LED Examination Light with stand floor model & with Microcomputer Controlled 8 step Brightness Adjustment.

Standard Features :  
Microcomputer control  
8-steps brightness adjustment

### Technical specifications

Color Temperature	: 3000-5500 K
Illumination	: $\geq 20000$ Lux
Temperature Rise of Field	: $\leq 8$ ( $^{\circ}$ C)
Power Supply	: 220 V / 50 Hz. AC
Power (W)	: $\leq 12$
Type of bulb	: Super bright LED Luminotron 3V/0.5Wx19
Spot Diameter	: 80-120 mm
Range	: 300-500mm from lamp adapter
Brightness Control	: 8 step digital control

**ELED30** : Similar to ELED20, but with battery backup.



## **ELED40** LED EXAMINATION LIGHT WITH STAND FLOOR MODEL

### Technical specifications

Color Temperature	: 3000-5500 K
Illumination	: $\geq 12000$ Lux
Temperature Rise of Field	: $\leq 8$ ( $^{\circ}$ C)
Power Supply	: 220 V / 50 Hz. AC
Power	: $\leq 3.5$ (W)
Type of bulb	: Super bright LED Luminotron 3V/0.5Wx8
Spot Diameter	: 80-120 mm
Range	: 300-500mm from lamp adapter
Brightness Control	: Switch ON/OFF



## **ELED50** LED EXAMINATION LIGHT FLOOR MODEL WITH CASTORS

### Technical specifications

Color Temperature	: 3000-5500 K
Illumination	: $\geq 3000$ Lux
Temperature Rise of Field	: $\leq 8$ ( $^{\circ}$ C)
Power Supply	: 220 v / 50 Hz. AC
Power	: $\leq 1.2$ (W)
Type of bulb	: Super bright LED Luminotron 3V/0.2W x 8
Spot Diameter	: 80-120 mm
Range	: 300-500mm from lamp adapter
Brightness Control	: Switch ON/OFF



**ELED101 CEILING MOUNTED LED SHADOWLESS OPERATION LAMP FOR ENDOSCOPY SURGERY**

Technical specifications	
Illumination	: 160000 Lux
Color temperature	: 4300±500K
Color indication index (Ra)	: 95
Power of LED	: N128x1W
Spot diameter d50	: 130mm-350mm
Illumination depth	: 140cm
Illumination-adjustment range	: 10%~100%
Ultraviolet irradiance with wavelength under 400nm	: 0.002W/m <sup>2</sup>
Focusing control	: Manual
Perfect for endoscopy surgery	
Power supply	: 220V, 50Hz /110V, 60Hz
LED average service life	: 60000hrs
Lowest height of installation	: 2.8m

Available in floor and wall configurations



**ELED102 CEILING MOUNTED LED SHADOWLESS OPERATION LAMP**

Technical specifications	
Spot center illumination	: 120000 Lux
Color temperature	: 4300±500K
Color indication index (Ra)	: 95
Power of LED	: N64x1W
Spot diameter d50	: 130mm-350mm
Illumination depth	: 120cm
Illumination-adjustment range	: 10%~100%
Ultraviolet irradiance with wavelength under 400nm	: 0.002W/m <sup>2</sup>
Focusing control	: manual
Power supply	: 220V, 50Hz /110V, 60Hz
LED average service life	: 60000hrs
Lowest height of installation	: 2.8m

Available in floor and wall configurations



**ELED103 CEILING MOUNTED LED SHADOWLESS OPERATION LAMP**

Technical specifications	
Spot center illumination	: 120000 Lux
Color temperature	: 4300±500K
Color indication index (Ra)	: 95
Power of LED	: N8x1W
Spot diameter d50	: 130mm-350mm
Illumination depth	: 120cm
Illumination-adjustment range	: 10%~100%
Ultraviolet irradiance with wavelength under 400nm	: 0.002W/m <sup>2</sup>
Focusing control	: Manual
Power supply	: 220V, 50Hz /110V, 60Hz
LED average service life	: 60000hrs
Lowest height of installation	: 2.8m

Available in floor and wall configurations



## ELED104 CEILING MOUNTED LED SHADOWLESS OPERATION LAMP

### Technical specifications

Illumination	: 160,000 lux
Color temperature	: 4300±500K
Color indication index (Ra)	: 95
Power of LED	: N16x1W
Spot diameter	: 130mm-350mm
Illumination depth	: 140cm
Illumination-adjustment range	: 10%~100%
Ultraviolet irradiance with wavelength under 400nm	: 0.002W/m <sup>2</sup>
Focusing control	: Manual
Power supply	: 220V, 50Hz /110V, 60Hz
LED average service life	: 60000hrs
Lowest height of installation	: 2.8m
Available in floor and wall configurations	



## ELED1000 CEILING MOUNTED LED SURGICAL LIGHT DUAL ARM - 2 LAMP

### Technical specifications

Diameter of lamp head	: Main lamp, 700 mm
	: Subsidiary, 600mm
Illumination	: Main lamp, 100000 ~ 160000 lux
	: Subsidiary, 80000 ~ 160000 lux
Color temperature	: 3000k ~ 6000k
Color rendering index (Ra)	: 92 ~ 100
Diameter of Spot	: D10 Main lamp 150mm
	Subsidiary 130mm
	D50 Main lamp 85mm
	Subsidiary 75mm
Depth of illumination	: =600mm
Adjustment of Height	: 800mm
Brightness control	: 9 steps
Total radiation illumination	: = 500W/M <sup>2</sup>
Power supply	: A.C100 ~ 220V 50 HZ
Power consumption	: 120VA
Power of bulb	: 3 W LED
Number of LED Bulbs	: Main lamp, 38
	: Subsidiary 26
Minimum installation height	: 3m



### ELED1002 CEILING MOUNTED LED SURGICAL LIGHT

Technical specifications	
Spot center illumination	: 160000/120000 lux
Color temperature	: 4300±500K
Color indication index (Ra)	: 95
Power of LED	: N16x1W/N8x1W
Spot diameter	: 130mm-350mm
Illumination depth	: 140cm/120cm
Illumination-adjustment range	: 10%~100%
Ultraviolet irradiance with wavelength under 400nm	: 0.002W/m <sup>2</sup>
Focusing control	: Manual
Power supply	: 220V, 50Hz /110V, 60Hz
LED average service life	: 60000hrs
Lowest height of installation	: 2.8m



### ELED1003 CEILING MOUNTED LED SURGICAL LIGHT

Technical specifications	
Spot center illumination	: 160000/120000 lux
Color temperature	: 4300±500K
Color indication index (Ra)	: 95
Power of LED	: N128x1W/N64x1W
Spot diameter	: 130mm-350mm
Illumination depth	: 140cm/120cm
Illumination-adjustment range	: 10%~100%
Ultraviolet irradiance with wavelength under 400nm	: 0.002W/m <sup>2</sup>
Focusing control	: Manual
Power supply	: 220V, 50Hz /110V, 60Hz
LED average service life	: 60000hrs
Lowest height of installation	: 2.8m





### OL1000 CEILING SHADOWLESS OPERATION LAMP SINGLE REFLECTOR

Technical specifications

Illumination Intensity	: 80000-150000 Lux
Color Temperature	: 3500-5000 K
Spot Diameter	: 100-250 mm
Illumination Depth	: 600 mm
Height Adjustment	: 800 mm
Lamphead Diameter	: 700 mm
Brightness Control	: 9-level dimmable
Temperature Rise of Field	: $\leq 2$ ( $^{\circ}$ C)
Power Supply	: 220V / 50Hz
Power Input	: 200 VA
Specification of Bulb	: 150 Watt / 24 Volt
Minimum Height for Installation	: 2700 mm

Automatic Switchover Between the Key and Backup Bulbs : Yes



### OL1009 CEILING SHADOWLESS OPERATION LAMP SINGLE REFLECTOR

Technical specifications

Illumination Intensity	: 80000-150000 Lux
Color Temperature	: 3500-5000 K
Spot Diameter	: 100-250 mm
Illumination Depth	: 600 mm
Height Adjustment	: 800 mm
Lamphead Diameter	: 600 mm
Brightness Control	: 9-level dimmable
Temperature Rise of Field	: $\leq 2$ ( $^{\circ}$ C)
Power Supply	: 220V / 50Hz
Power Input	: 200 VA
Specification of Bulb	: 150 Watt / 24 Volt
Minimum Height for Installation	: 2660 mm

Automatic Switchover Between the Key and Backup Bulbs : Yes

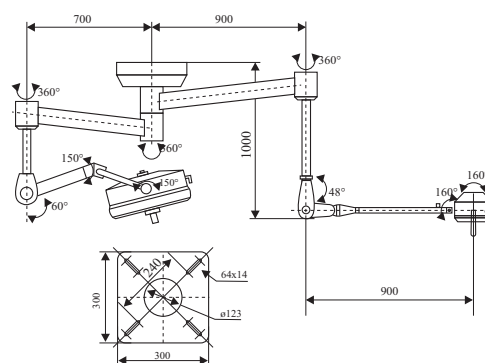


## OL1018 CEILING SHADOWLESS OPERATION LAMP 2 ARMS DOUBLE REFLECTOR

### Technical specifications

Illumination Intensity	: 80000-150000 / 18000-22000 Lux
Color Temperature	: 3500-5000 / 3000-4000 K
Spot Diameter	: 100-250 / 80-150 mm
Illumination Depth	: 600 mm
Height Adjustment	: 800 mm
Lamphead Diameter	: 600/280 mm
Brightness Control	: 9-level dimmable
Temperature Rise of Field	: $\leq 2$ ( $^{\circ}$ C)
Power Supply	: 220V / 50Hz
Power Input	: 250 VA
Specification of Bulb	: 150 Watt / 24 Volt
	: 50 Watt / 24 Volt
Minimum Height for Installation	: 2900 mm

Automatic Switchover Between the Key and Backup Bulbs : Yes

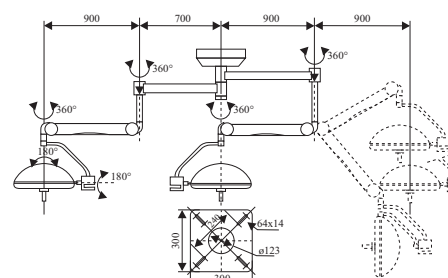


## OL1027 CEILING SHADOWLESS OPERATION LAMP 2 ARMS DOUBLE REFLECTOR

### Technical specifications

Illumination Intensity	: 80000-150000 Lux
Color Temperature	: 3500-5000 K
Spot Diameter	: 100-250 mm
Illumination Depth	: 600 mm
Height Adjustment	: 800 mm
Lamphead Diameter	: 700/600 mm
Brightness Control	: 9-level dimmable
Temperature Rise of Field	: $\leq 2$ ( $^{\circ}$ C)
Power Supply	: 220V / 50Hz
Power Input	: 400 VA
Specification of Bulb	: 150 Watt / 24 Volt
Minimum Height for Installation	: 2750 mm

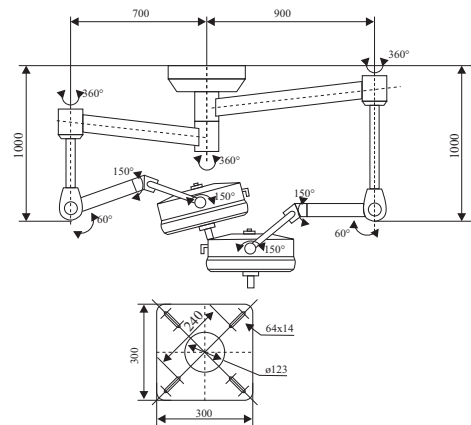
Automatic Switchover Between the Key and Backup Bulbs : Yes



**OL1036 CEILING SHADOWLESS OPERATION LAMP 2 ARMS DOUBLE REFLECTOR**

Technical specifications

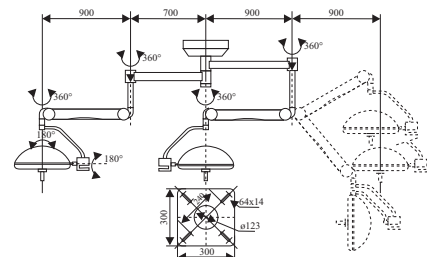
Illumination Intensity	: 80000-150000 Lux
Color Temperature	: 3500-5000 K
Spot Diameter	: 100-250 mm
Illumination Depth	: 600 mm
Height Adjustment	: 800 mm
Lamphead Diameter	: 600/600 mm
Brightness Control	: 9-level dimmable
Temperature Rise of Field	: $\leq 2$ ( $^{\circ}$ C)
Power Supply	: 220V / 50Hz
Power Input	: 400 VA
Specification of Bulb	: 150 Watt / 24 Volt
Minimum Height for Installation	: 2900 mm
Automatic Switchover Between the Key and Backup Bulbs	: Yes



**OL1045 CEILING SHADOWLESS OPERATION LAMP 2 ARMS DOUBLE REFLECTOR**

Technical specifications

Illumination Intensity	: 80000-150000 Lux
Color Temperature	: 3500-5000 K
Spot Diameter	: 100-250 mm
Illumination Depth	: 600 mm
Height Adjustment	: 800 mm
Lamphead Diameter	: 600/600 mm
Brightness Control	: 9-level dimmable
Temperature Rise of Field	: $\leq 2$ ( $^{\circ}$ C)
Power Supply	: 220V / 50Hz
Power Input	: 400 VA
Specification of Bulb	: 150 Watt / 24 Volt
Minimum Height for Installation	: 2750 mm
Automatic Switchover Between the Key and Backup Bulbs	: Yes



## OL1054 MOBILE SHADOWLESS OPERATION LAMP SINGLE REFLECTOR

### Technical specifications

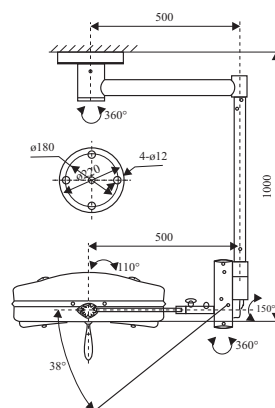
Illumination Intensity	: 80000-150000 Lux
Color Temperature	: 3500-5000 K
Spot Diameter	: 100-250 mm
Illumination Depth	: 600 mm
Height Adjustment	: 800 mm
Lamphead Diameter	: 600 mm
Brightness Control	: 9-level dimmable
Temperature Rise of Field	: $\leq 2$ ( $^{\circ}\text{C}$ )
Power Supply	: 220V / 50Hz
Power Input	: 200 VA
Specification of Bulb	: 150 Watt / 24 Volt
Automatic Switchover Between the Key and Backup Bulbs	: Yes



## OL2000 CEILING SHADOWLESS OPERATION LAMP SINGLE DOME (5 BULBS)

### Technical specifications

Illumination Intensity	: 30000-50000 Lux
Color Temperature	: 3500-5000 K
Spot Diameter	: 100-200 mm
Height Adjustment	: 260 mm
Lamphead Diameter	: 500 mm
Power Supply	: 220V / 50Hz
Power Input	: 150 VA



**OL2008 CEILING SHADOWLESS OPERATION LAMP SINGLE DOME (6 BULBS)**

Technical specifications

Illumination Intensity	: 100000~160000 Lux
Color Temperature	: 3500-5000 K
Spot Diameter	: 120-250 mm
Height Adjustment	: 700 mm
Lamphead Diameter	: 800 mm
Brightness Control	: 9-level dimmable
Temperature Rise of Field	: ≤ 2 (°C)
Power Supply	: 220V / 50Hz
Power Input	: 400 VA
Specification of Bulb	: 50 Watt / 24 Volt
Minimum Height for Installation	: 2750 mm



**OL2016 CEILING SHADOWLESS OPERATION LAMP SINGLE DOME (7 BULBS)**

Technical specifications

Illumination Intensity	: 42000-70000 Lux
Color Temperature	: 3500-5000 K
Spot Diameter	: 100-200 mm
Height Adjustment	: 440 mm
Lamphead Diameter	: 700 mm
Power Supply	: 220V / 50Hz
Power Input	: 210 VA



**OL2024 CEILING SHADOWLESS OPERATION LAMP SINGLE DOME (9 BULBS)**

Technical specifications

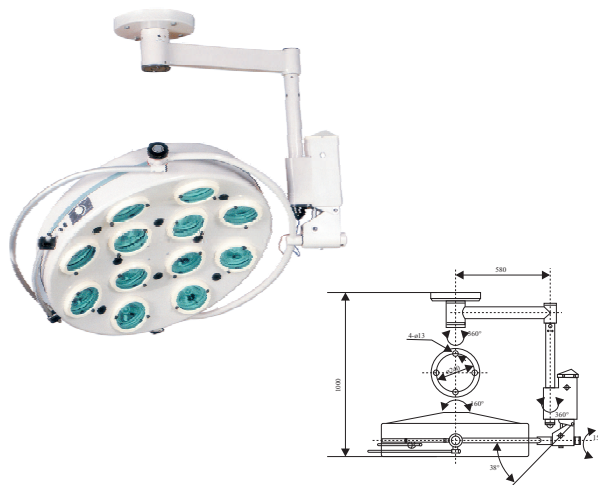
Illumination Intensity	: 54000-90000 Lux
Color Temperature	: 3500-5000 K
Spot Diameter	: 100-200 mm
Height Adjustment	: 440 mm
Lamphead Diameter	: 900 mm
Power Supply	: 220V / 50Hz
Power Input	: 270 VA



## OL2032 CEILING SHADOWLESS OPERATION LAMP SINGLE DOME (12 BULBS)

### Technical specifications

Illumination Intensity	: 72000-120000 Lux
Color Temperature	: 3500-5000 K
Spot Diameter	: 100-200 mm
Height Adjustment	: 440 mm
Lamphead Diameter	: 900 mm
Power Supply	: 220V / 50Hz
Power Input	: 360 VA



## OL2040 CEILING SHADOWLESS OPERATION LAMP DUAL ARM (6+3 BULBS)

### Technical specifications

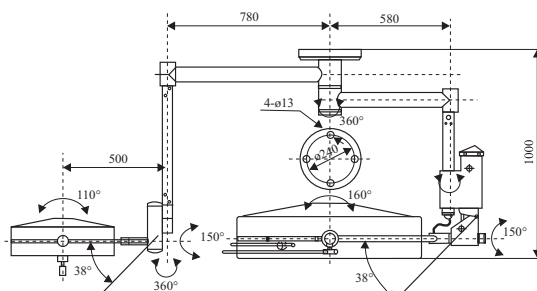
Illumination Intensity	: 100000~160000 60000~100000 Lux
Color Temperature	: 3500-5000 K
Spot Diameter	: 120-250 mm
Height Adjustment	: 700 / 800 mm
Lamphead Diameter	: 800 / 550 mm
Brightness Control	: 9-level dimmable
Temperature Rise of Field	: $\leq 2$ (°C)
Power Supply	: 220V / 50Hz
Power Input	: 600 VA
Specification of Bulb	: 50 Watt / 24 Volt
Minimum Height for Installation	: 2850 mm



## OL2048 CEILING SHADOWLESS OPERATION LAMP DUAL ARM (5+12 BULBS)

### Technical specifications

Illumination Intensity	: 50000-120000 Lux
Color Temperature	: 3500-5000 K
Spot Diameter	: 100-200 mm
Height Adjustment	: 260-440 mm
Lamphead Diameter	: 500 / 900 mm
Power Supply	: 220V / 50Hz
Power Input	: 510 VA



**OL1056 SHADOWLESS OPERATION LAMP WITH SINGLE REFLECTOR STAND MODEL WITH CASTORS (WITH FOCUS CONTROL)**

Technical specifications

Illumination Intensity	: 30000-60000 Lux
Color Temperature	: 3000-4500 K
Spot Diameter	: 80-150 mm
Height Adjustment	: 700 mm
Lamphead Diameter	: 195 mm
Power Supply	: 200V / 50Hz
Power Input	: 75 VA
Specification of Halogen Bulb	: 50 Watt / 24 Volt
Brightness Control	: Digital Control

**OL1057** : Similar to OL1056, but Wall Mounted.  
**OL1058** : Similar to OL1056, but Ceiling Mounted.



**OL1064 MOBILE SHADOWLESS OPERATION LAMP SINGLE DOME STAND MODEL WITH CASTORS (3 BULBS)**

Technical specifications

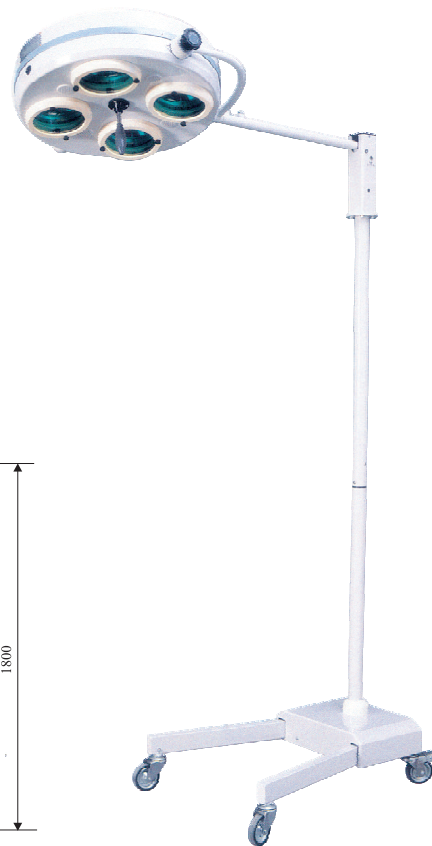
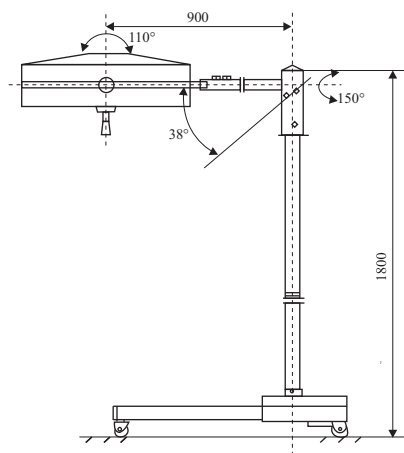
Illumination Intensity	: 60000-100000 Lux
Color Temperature	: 3500-5000 K
Spot Diameter	: 120-250 mm
Height Adjustment	: 700 mm
Lamphead Diameter	: 550 mm
Brightness Control	: 9-level dimmable
Temperature Rise of Field	: $\leq 2$ (°C)
Power Supply	: 220V / 50Hz
Power Input	: 200 VA
Specification of Bulb	: 50 Watt / 24 Volt



**OL1072 MOBILE SHADOWLESS OPERATION LAMP SINGLE DOME STAND MODEL WITH CASTORS (4 BULBS)**

Technical specifications

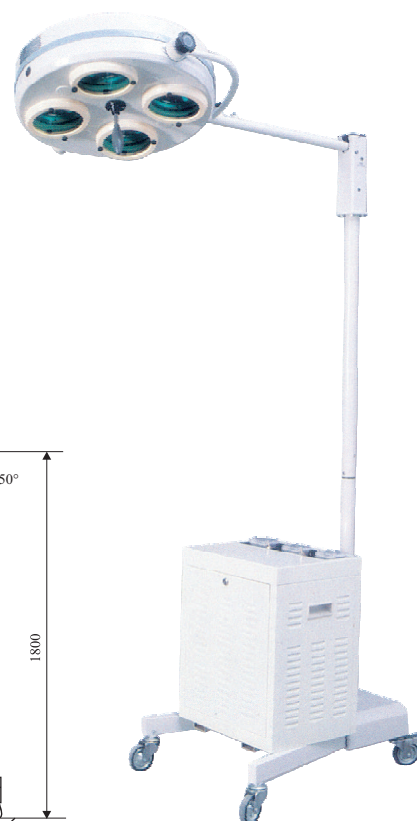
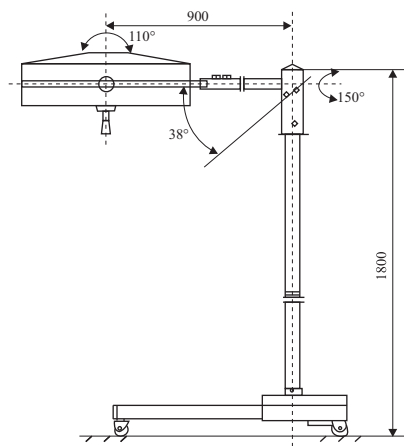
Illumination Intensity	: 24000-40000 Lux
Color Temperature	: 3500-5000 K
Spot Diameter	: 100-200 mm
Height Adjustment	: 440 mm
Lamphead Diameter	: 500 mm
Power Supply	: 220V / 50Hz
Power Input	: 120 VA



**OL1080 MOBILE SHADOWLESS OPERATION LAMP SINGLE DOME STAND MODEL WITH CASTORS & WITH BATTERY BACKUP (4 BULBS)**

Technical specifications

Illumination Intensity	: 40000 Lux
Color Temperature	: 3500-5000 K
Spot Diameter	: 100-200 mm
Height Adjustment	: 400 mm
Lamphead Diameter	: 500 mm
Power Supply	: 220V / 50Hz
Power Input	: 120 VA
with battery backup	



**OL1088 MOBILE SHADOWLESS OPERATION LAMP SINGLE DOME STAND MODEL WITH CASTORS (5 BULBS)**

Technical specifications

Illumination Intensity	: 50000 Lux
Color Temperature	: 3500-5000 K
Spot Diameter	: 100-200 mm
Height Adjustment	: 400 mm
Lamphead Diameter	: 500 mm
Power Supply	: 220V / 50Hz
Power Input	: 150 VA



**OL1096 HALOGEN EXAMINATION LAMP**

Technical specifications

Illumination Intensity	: 20000~30000 Lux
Color Temperature	: 3000-4000 K
Spot Diameter	: 80-150 mm
Height Adjustment	: 600 mm
Power Supply	: 220V / 50Hz
Power Input	: 75 VA
Specification of Bulb	: 50 Watt / 24 Volt

